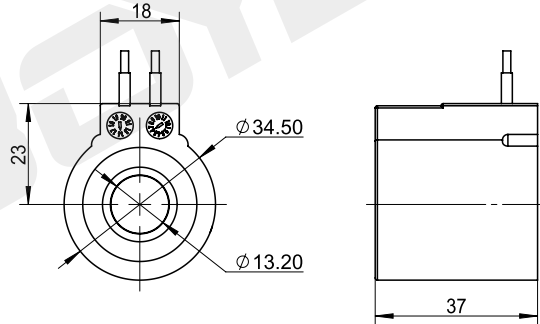
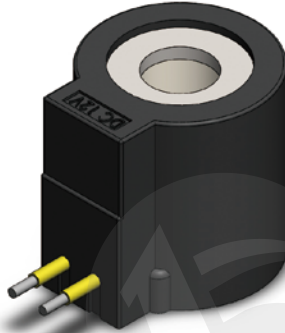


Coil for cartridge valve

DC 24V
AC 220V

Other can be customized

BYC02-13-02L

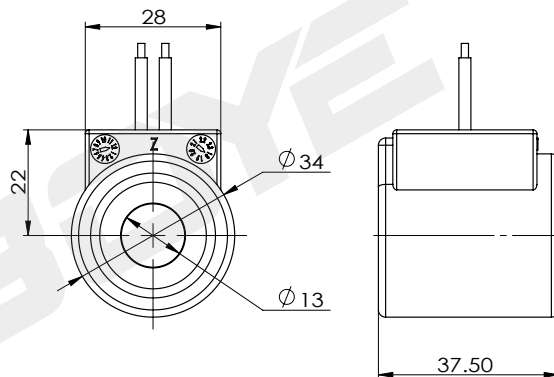
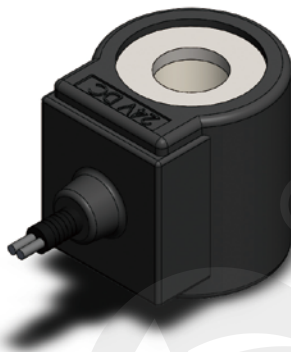


technical parameter					
Ambient temperature	°C	-25 ~ 50	Degree of protection		IP67
Voltage fluctuation range	%	85 ~ 110	Power on duration	%	100
Rated power	W	16/20	Insulation class		H (180)

BYC02-13-03H

DC 24V
AC 220V

Other can be customized



technical parameter					
Ambient temperature	°C	-25 ~ 50	Degree of protection		IP67
Voltage fluctuation range	%	85 ~ 110	Power on duration	%	100
Rated power	W	15	Insulation class		H (180)