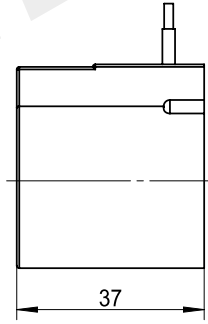
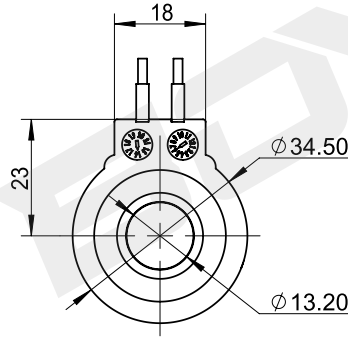
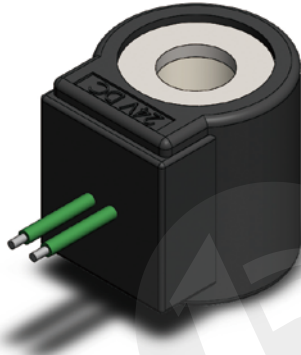


Coil for cartridge valve

**BYC02-13-03L**

**DC 24V  
AC 220V**

Other can be customized

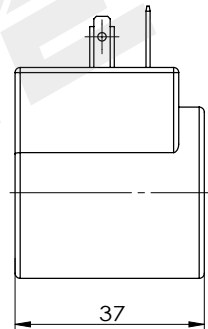
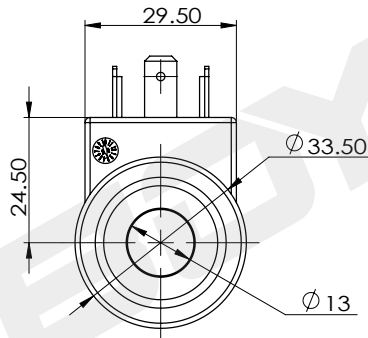


technical parameter					
Ambienttemperature	°C	-25 ~ 50	Degree of protection		IP67
Voltage fluctuation range	%	85 ~ 110	Power on duration	%	100
Rated power	W	15	Insulation class		H (180)

**BYC02-13A-01G**

**DC24V  
AC220V**

Other can be customized



technical parameter					
Ambienttemperature	°C	-25 ~ 50	Degree of protection		IP65
Voltage fluctuation range	%	85 ~ 110	Power on duration	%	100
Rated power	W	15	Insulation class		H (180)