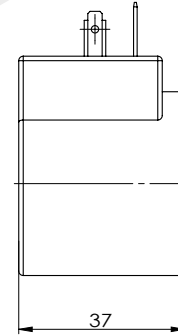
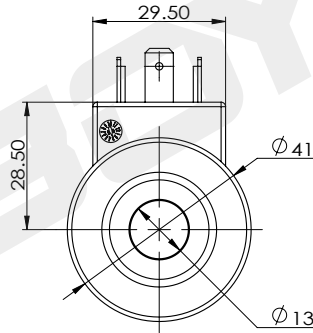


Coil for cartridge valve

BYC02-13B-01G

DC 24V
AC 220V

Other can be customized



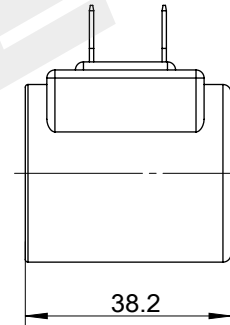
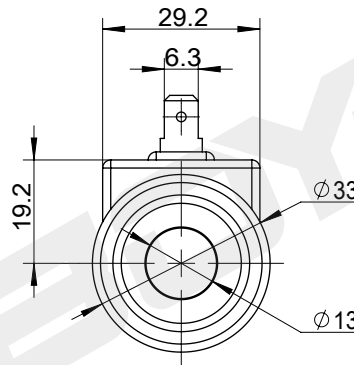
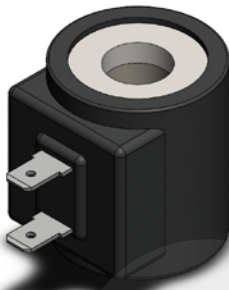
technical parameter

Ambient temperature	°C	-25 ~ 50	Degree of protection		IP65
Voltage fluctuation range	%	85 ~ 110	Power on duration	%	100
Rated power	W	18	Insulation class		H (180)

BYC02-13C-01S

DC24V
AC220V

Other can be customized



technical parameter

Ambient temperature	°C	-25 ~ 50	Degree of protection		IP65
Voltage fluctuation range	%	85 ~ 110	Power on duration	%	100
Rated power	W	20	Insulation class		H (180)