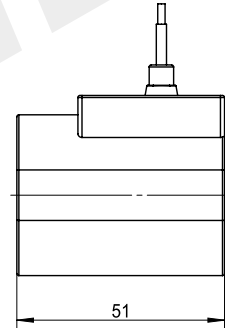
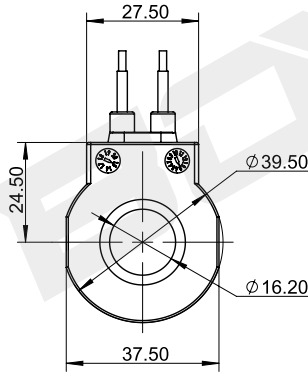
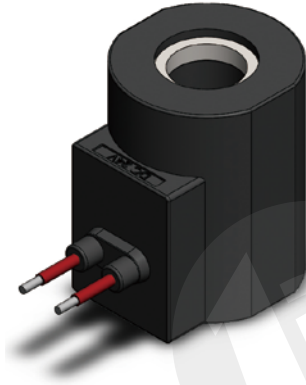


Coil for cartridge valve

BYC03-16-01L

DC 24V
AC 220V

Other can be customized

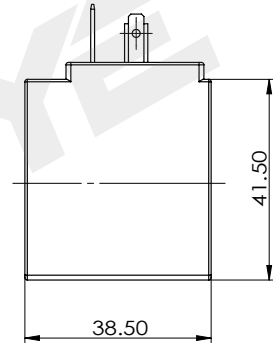
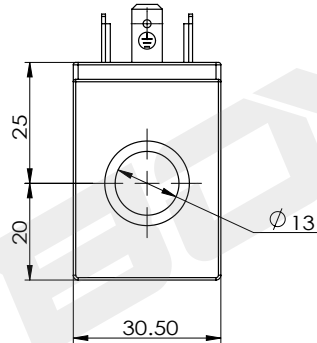
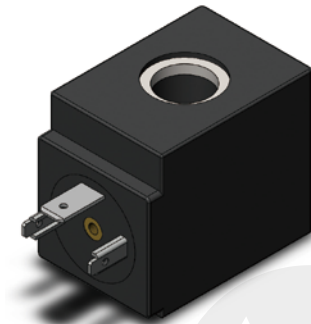


technical parameter					
Ambienttemperature	°C	-25 ~ 50	Degree of protection		IP67
Voltage fluctuation range	%	85 ~ 110	Power on duration	%	100
Rated power	W	26	Insulation class		H (180)

BYC04-13-01G

DC 24V
AC 220V

Other can be customized



technical parameter					
Ambienttemperature	°C	-25 ~ 50	Degree of protection		IP65
Voltage fluctuation range	%	85 ~ 110	Power on duration	%	100
Rated power	W	18	Insulation class		H (180)