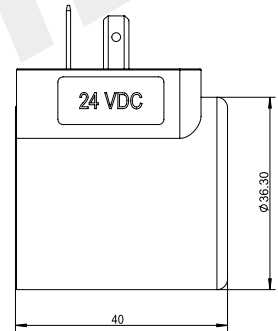
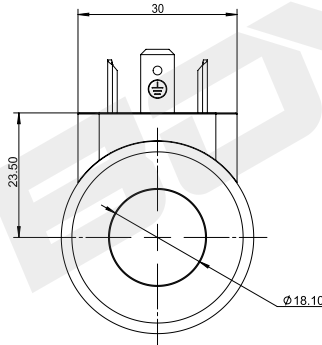
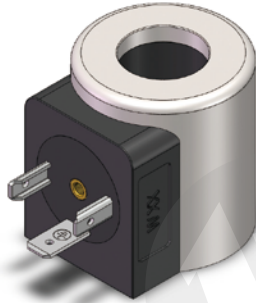


Coil for cartridge valve

BYC06-18-01G

Customizable proportions



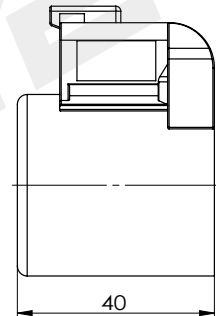
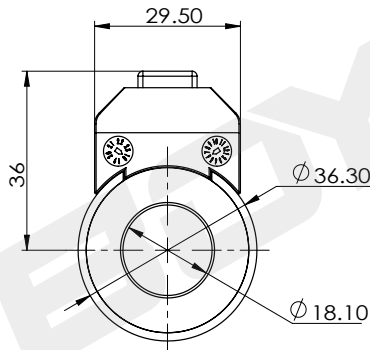
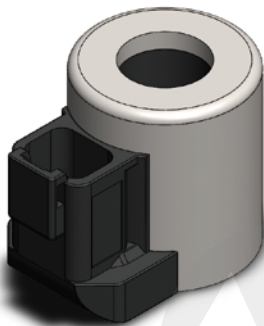
DC 24V
AC 220V

Other can be customized

technical parameter					
Ambienttemperature	°C	-25 ~ 50	Degree of protection		IP65
Voltage fluctuation range	%	85 ~ 110	Power on duration	%	100
Rated power	W	16	Insulation class		H (180)

BYC06-18-01D

Customizable proportions



DC 12V
DC 24V

Other can be customized

technical parameter					
Ambienttemperature	°C	-25 ~ 50	Degree of protection		IP67
Voltage fluctuation range	%	85 ~ 110	Power on duration	%	100
Rated power	W	16	Insulation class		H (180)