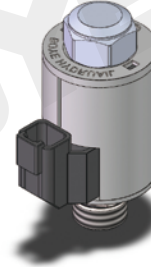


BYG04-21-01D

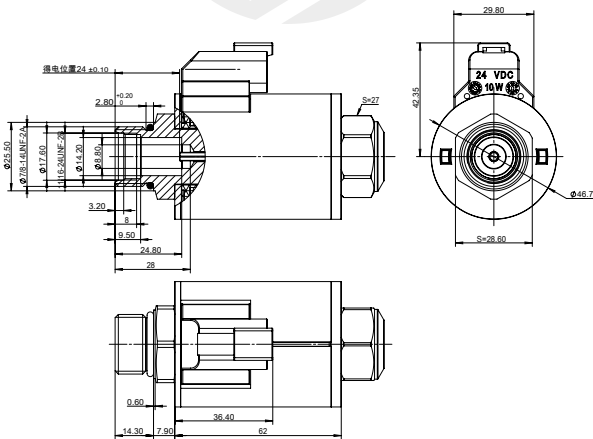
Electromagnet for proportional valve

DC12V 1.5A
DC24V 0.75A
 Other can be customized

- Applicable to PV70 series proportional cartridge solenoid valve
- Threaded connection, coil can be replaced without stopping
- Coil inner hole ϕ 21.5, full plastic sealing process

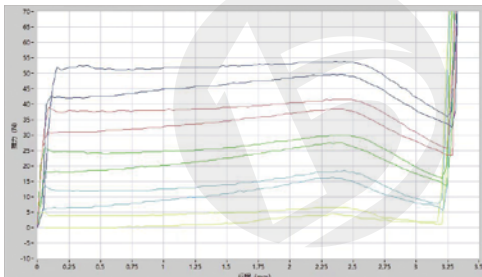


Outline and connection dimensions



technical parameter			
Ambient temperature	°C	-25~50	
Rated voltage	VDC	12	24
Rated current	A	1.5	0.75
Maximum current	A	1.6	0.8
Rated resistance	Ω	4.5	18
Rated stroke	mm	2.5	
Full stroke	mm	3.2	
Rated thrust	N	50	
Force hysteresis	%	≤ 4	
Current hysteresis	%	≤ 4	
Repetition accuracy	%	≤ 1	
Working oil pressure	MPa	≤ 21	
Degree of protection		IP67	
Power on duration	%	100	
Insulation class		H (180)	
Electrical connection mode		DT04-2P	

F-S characteristic curve



matters needing attention

1. After the first use or long-term shutdown, please exhaust the air in the system first!
2. It can be installed in any direction, and it is recommended to install horizontally.