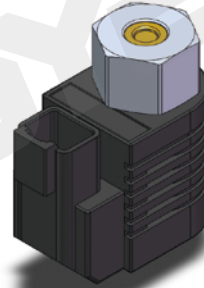


BYG08-33-01MD

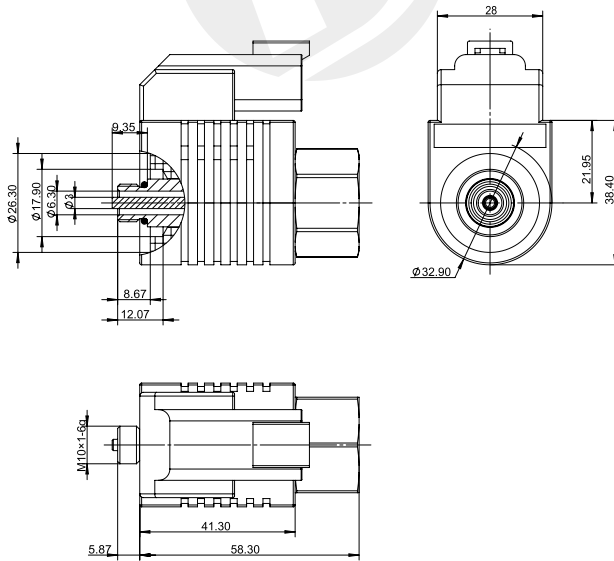
Electromagnet for proportional valve

DC12V 1.2A
DC24V 0.6A
 Other can be customized

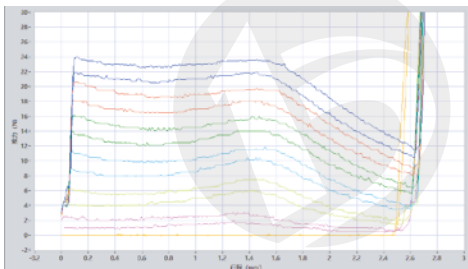
- Suitable for electro-hydraulic proportional threaded cartridge valves
- Equipped with manual adjustment device
- Coil inner hole $\phi 13$, full plastic sealing process



Outline and connection dimensions



F-S characteristic curve



technical parameter			
Ambient temperature	°C	-25~50	
Rated voltage	VDC	12	24
Rated current	A	1.2	0.6
Maximum current	A	1.36	0.68
Rated resistance	Ω	8.5	34
Rated stroke	mm	1.5	
Full stroke	mm	2.5	
Rated thrust	N	22	
Force hysteresis	%	≤ 4	
Current hysteresis	%	≤ 4	
Repetition accuracy	%	≤ 1	
Working oil pressure	MPa	≤ 21	
Degree of protection		IP67	
Power on duration	%	100	
Insulation class		H (180)	
Electrical connection mode		DT04-2P	

matters needing attention

1. After the first use or long-term shutdown, please exhaust the air in the system first!
2. It can be installed in any direction, and it is recommended to install horizontally.