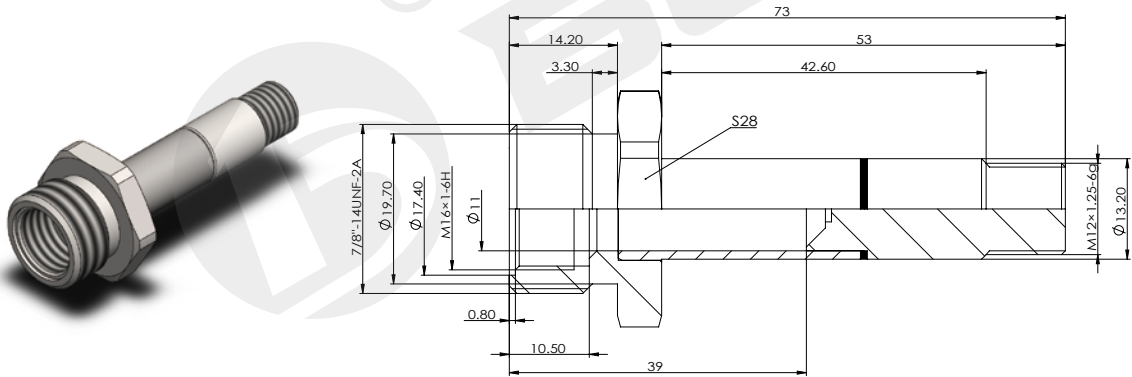


BYT01

Magnetic guide tube for cartridge valve

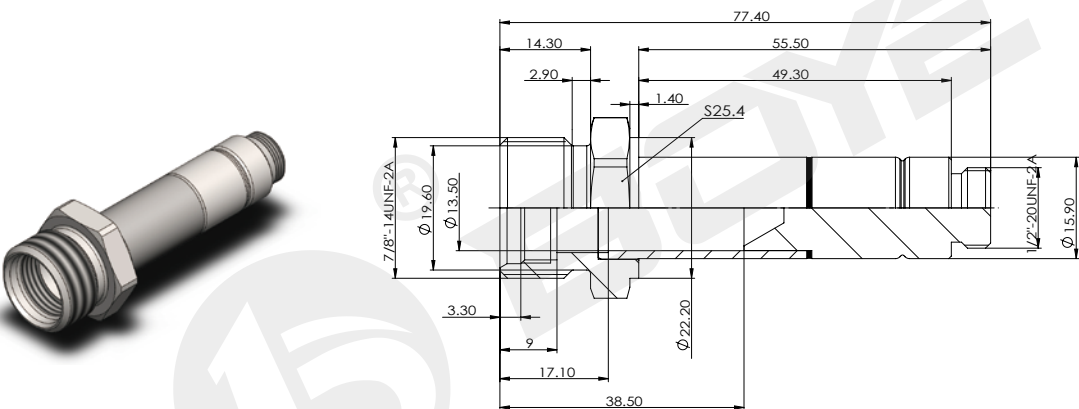
- Pull type, Three stage welding, External hexagon thread connection

BYT01-13B-01



technical parameter					
Working oil pressure	MPa	≤ 21	Hexagon size	mm	28

BYT01-16-01



technical parameter					
Working oil pressure	MPa	≤ 21	Hexagon size	mm	25.4