

BYT01

插装阀用导磁套

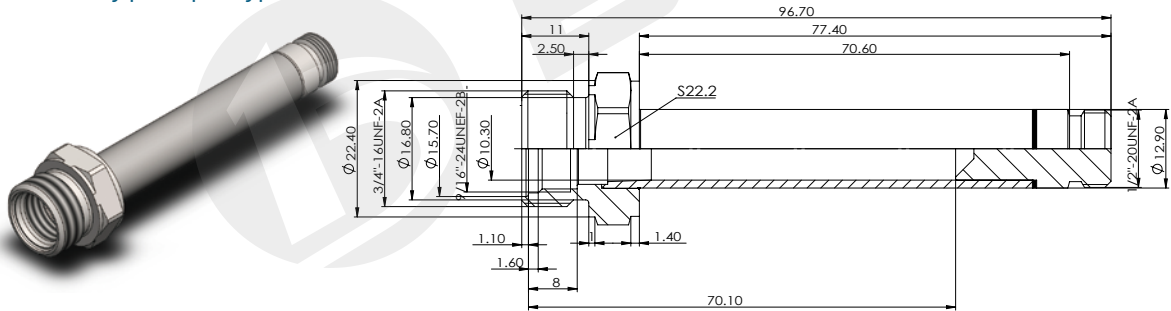
Magnetic guide tube for cartridge valve

- 拉式，三段氩弧焊接，外六角螺纹连接
- Pull type, Three stage welding, External hexagon thread connection

BYT01-S13-01

双向推拉式

Two way push-pull type



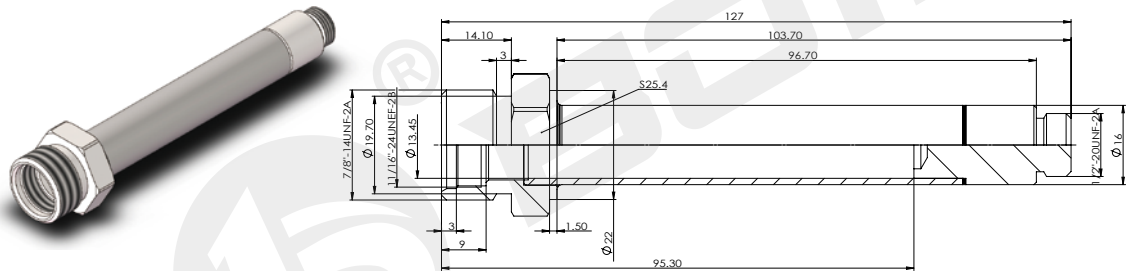
技术参数 /technical parameter

工作油压 Working oil pressure	MPa	≤ 21	六角尺寸 Hexagon size	mm	22.2
---------------------------	-----	------	-------------------	----	------

BYT01-S16-01

双向推拉式

Two way push-pull type



技术参数 /technical parameter

工作油压 Working oil pressure	MPa	≤ 21	六角尺寸 Hexagon size	mm	25.4
---------------------------	-----	------	-------------------	----	------

样本数据来源于试验室环境，仅供参考，贵公司如需最新数据或有特殊需求，欢迎联系博业液压工程师。
The sample data comes from the laboratory environment and is only for reference. If your company needs the latest data or has special needs, please contact Boye hydraulic engineer.