

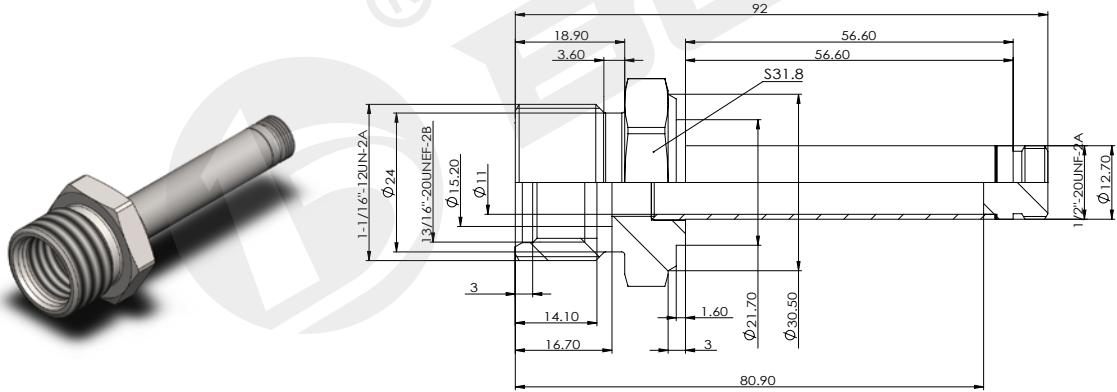
BYT02

插装阀用导磁套

Magnetic guide tube for cartridge valve

- 推式，三段氩弧焊接，外六角螺纹连接
- Push type, Three stage welding, External hexagon thread connection

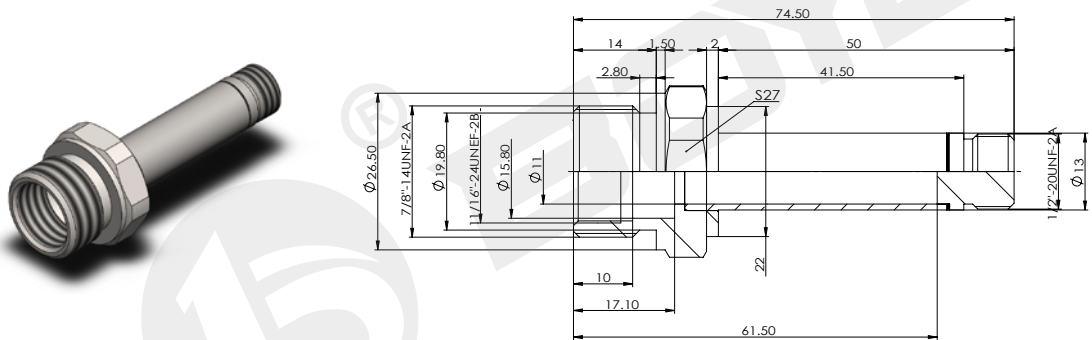
BYT02-13B-01



技术参数 /technical parameter

工作油压 Working oil pressure	MPa	≤ 21	六角尺寸 Hexagon size	mm	31.75
---------------------------	-----	------	-------------------	----	-------

BYT02-13C-01



技术参数 /technical parameter

工作油压 Working oil pressure	MPa	≤ 21	六角尺寸 Hexagon size	mm	27
---------------------------	-----	------	-------------------	----	----