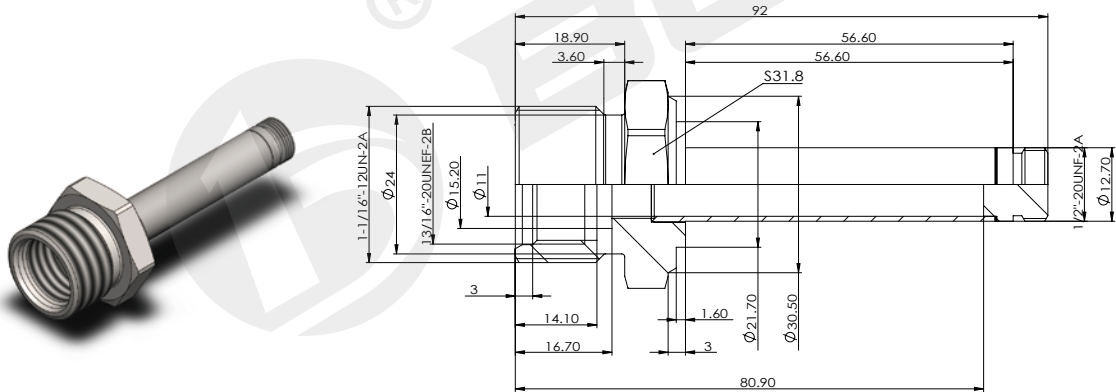


BYT02

Magnetic guide tube for cartridge valve

- Push type, Three stage welding, External hexagon thread connection

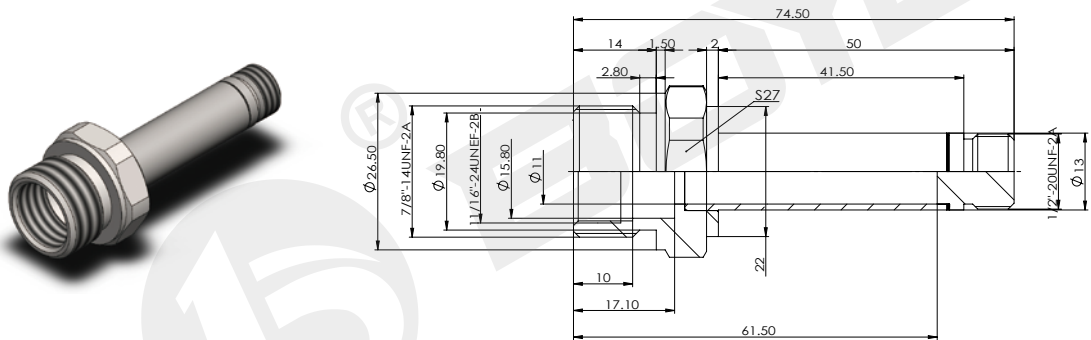
BYT02-13B-01



technical parameter

Working oil pressure	MPa	≤ 21	Hexagon size	mm	31.75
----------------------	-----	------	--------------	----	-------

BYT02-13C-01



technical parameter

Working oil pressure	MPa	≤ 21	Hexagon size	mm	27
----------------------	-----	------	--------------	----	----