

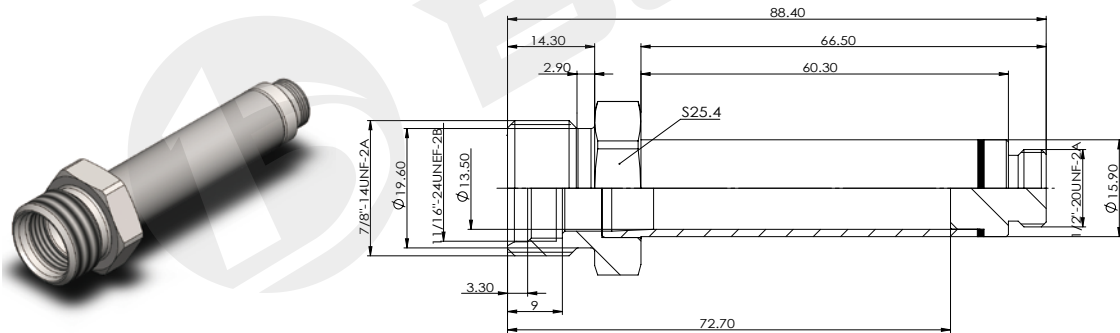
# BYT02

## 插装阀用导磁套

Magnetic guide tube for cartridge valve

- 推式，三段氩弧焊接，外六角螺纹连接
- Push type, Three stage welding, External hexagon thread connection

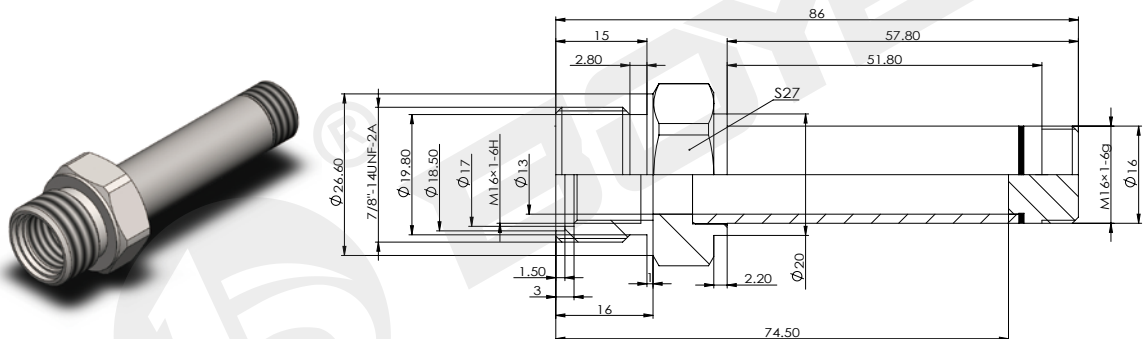
### BYT02-16-01



#### 技术参数 /technical parameter

工作油压 Working oil pressure	MPa	$\leq 21$	六角尺寸 Hexagon size	mm	25.4
---------------------------	-----	-----------	-------------------	----	------

### BYT02-16A-01



#### 技术参数 /technical parameter

工作油压 Working oil pressure	MPa	$\leq 21$	六角尺寸 Hexagon size	mm	27
---------------------------	-----	-----------	-------------------	----	----

样本数据来源于试验室环境，仅供参考，贵公司如需最新数据或有特殊需求，欢迎联系博业液压工程师。  
The sample data comes from the laboratory environment and is only for reference. If your company needs the latest data or has special needs, please contact Boye hydraulic engineer.