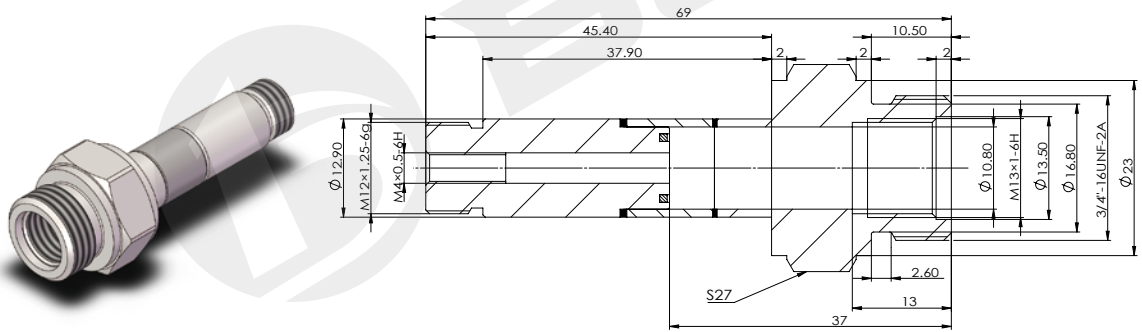


BYT03/04

Magnetic guide tube for cartridge valve

- Pull type, Three stage welding, External hexagon thread connection

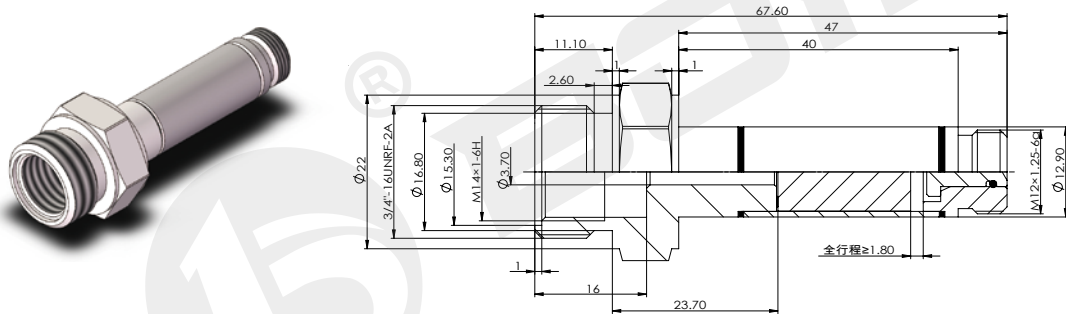
BYT03-13-01M



technical parameter

Working oil pressure	MPa	≤ 21	Hexagon size	mm	27
----------------------	-----	-----------	--------------	----	----

BYT04-13-01M



technical parameter

Working oil pressure	MPa	≤ 21	Hexagon size	mm	22.2
----------------------	-----	-----------	--------------	----	------