

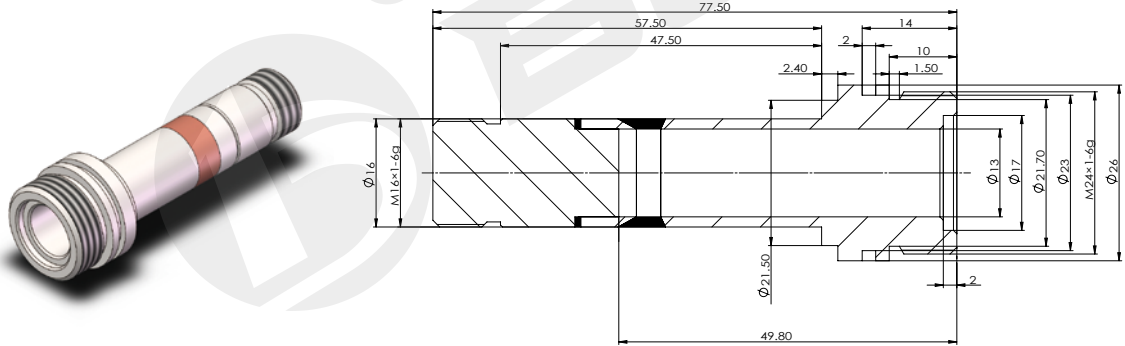
BYT15/16

插装阀用导磁套

Magnetic guide tube for cartridge valve

- 拉式，四段氩弧 - 铜堆焊接，螺纹连接
- Pull type, four-stage argon arc copper pile welding, threaded connection

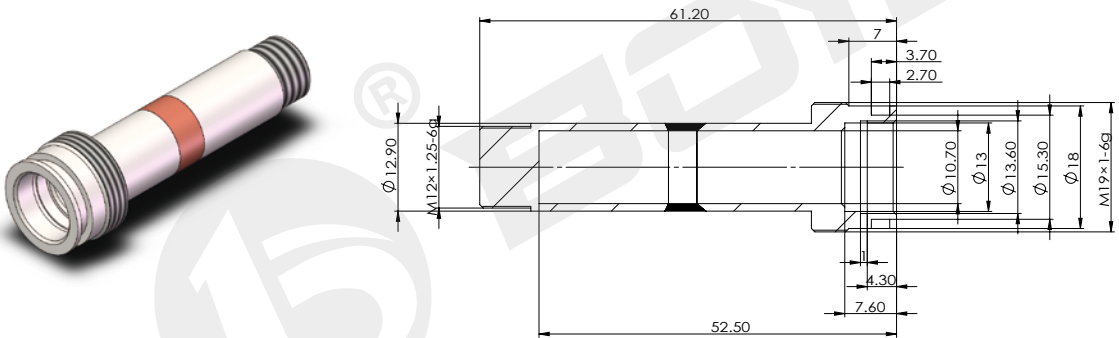
BYT15-16-01



技术参数 /technical parameter

工作油压 Working oil pressure	MPa	≤ 21	六角尺寸 Hexagon size	mm	—
---------------------------	-----	------	-------------------	----	---

BYT16-13-01



技术参数 /technical parameter

工作油压 Working oil pressure	MPa	≤ 21	六角尺寸 Hexagon size	mm	—
---------------------------	-----	------	-------------------	----	---

样本数据来源于试验室环境，仅供参考，贵公司如需最新数据或有特殊需求，欢迎联系博业液压工程师。
The sample data comes from the laboratory environment and is only for reference. If your company needs the latest data or has special needs, please contact Boye hydraulic engineer.