

BYS02-25A-02L

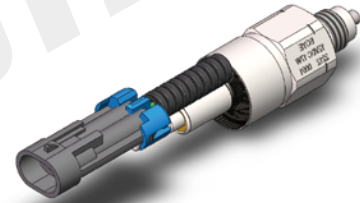
电磁阀锁

battery valve lock

DC 12V
DC 24V

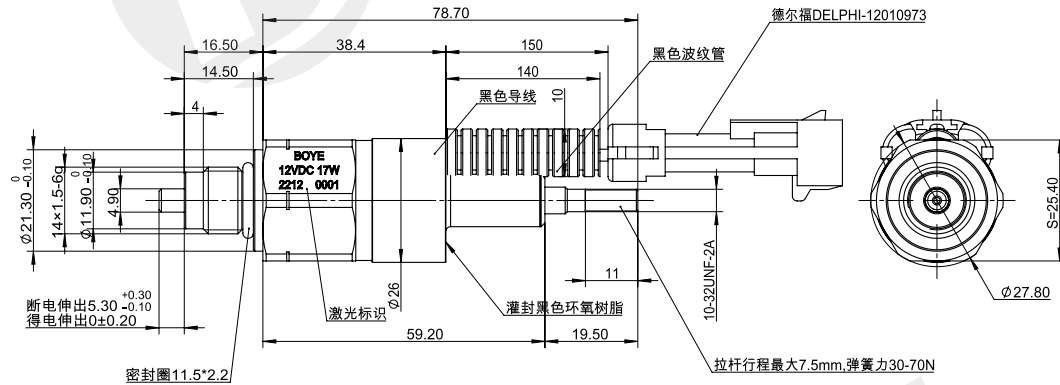
其它规格可定做
Other can be customized

- 适用于电磁阀位置锁定
- 自带复位弹簧
- 自带手动应急装置
- 线圈全塑封工艺
- Suitable for solenoid valve position locking
- Comes with return spring
- Comes with manual emergency device
- Coil full plastic sealing process



外形及连接尺寸

Outline and connection dimensions



注意事项

matters needing attention

1. 线圈不得单独通电使用，有烧损风险！
2. 非防爆线圈，不得使用在有爆炸危险的介质中！
3. 线圈安装后，必须接地可靠，否则有触电危险！
1. The coil shall not be powered on alone, which has the risk of burning!
2. Non explosion-proof coil shall not be used in medium with explosion risk!
3. After the coil is installed, it must be grounded reliably, otherwise there is a risk of electric shock!

技术参数 /technical parameter Технические характеристики		
环境温度 Ambient temperature Температура окружающей среды	°C	-25~50
额定电压 Rated voltage Номинальное напряжение	VDC	12
额定电阻 Rated resistance Номинальное сопротивление	Ω	8.5
额定行程 Rated stroke Номинальный ход	mm	5
重复精度 Repetition accuracy Точность повторения	%	≤ 1
防护等级 Degree of protection Степень защиты		IP67
通电持续率 Power on duration Длительность включения	%	100
绝缘等级 Insulation class Класс изоляции		H (180)
电气连接方式 Electrical connection mode Режим электрического подключения		双引线

样本数据来源于试验室环境，仅供参考，贵公司如需最新数据或有特殊需求，欢迎联系博业液压工程师。
The sample data comes from the laboratory environment and is only for reference. If your company needs the latest data or has special needs, please contact Boye hydraulic engineer.