

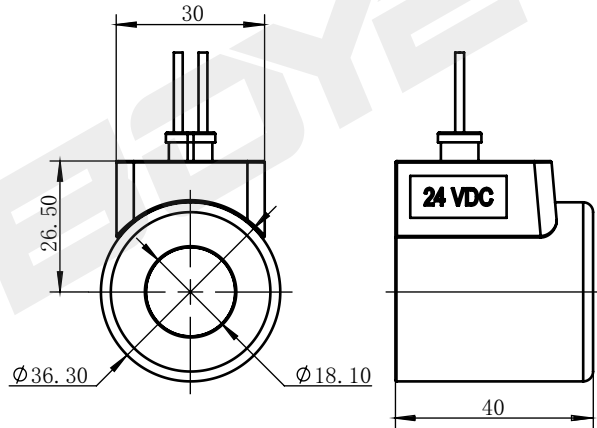
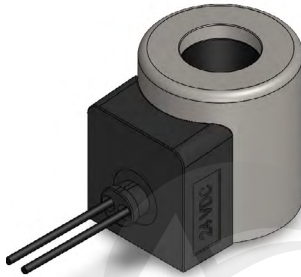
# Coil for cartridge valve

## BYC06-18-02L

**DC 12V**  
**DC 24V**

Other can be customized

Customizable proportions



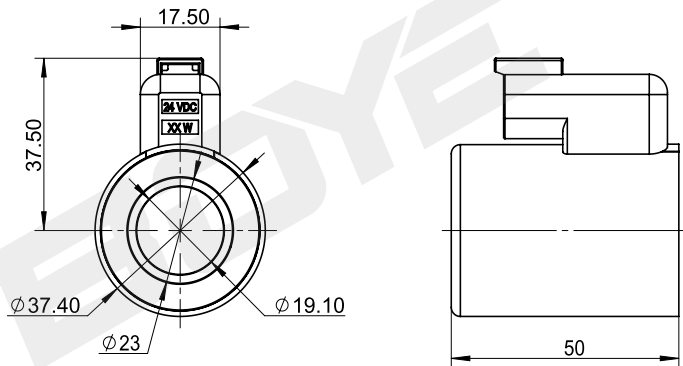
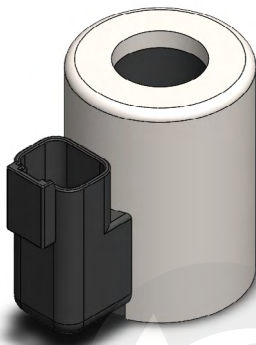
| Technical parameter       |    |          |                      |   |         |
|---------------------------|----|----------|----------------------|---|---------|
| Ambient temperature       | °C | -25 ~ 50 | Degree of protection |   | IP67    |
| Voltage fluctuation range | %  | 85 ~ 110 | Power on duration    | % | 100     |
| Rated power               | W  | 20/23/26 | Insulation class     |   | H (180) |

## BYC06-19-01D

**DC 12V**  
**DC 24V**

Other can be customized

Customizable proportions



| Technical parameter       |    |          |                      |   |         |
|---------------------------|----|----------|----------------------|---|---------|
| Ambient temperature       | °C | -25 ~ 50 | Degree of protection |   | IP67    |
| Voltage fluctuation range | %  | 85 ~ 110 | Power on duration    | % | 100     |
| Rated power               | W  | 22       | Insulation class     |   | H (180) |