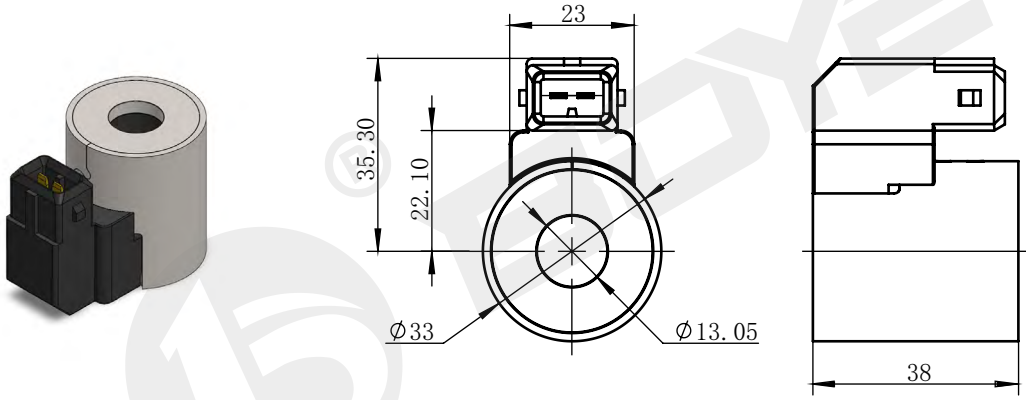


# Coil for cartridge valve

## BYC12-13-01J

**DC 12V**  
**DC 24V**

Other can be customized

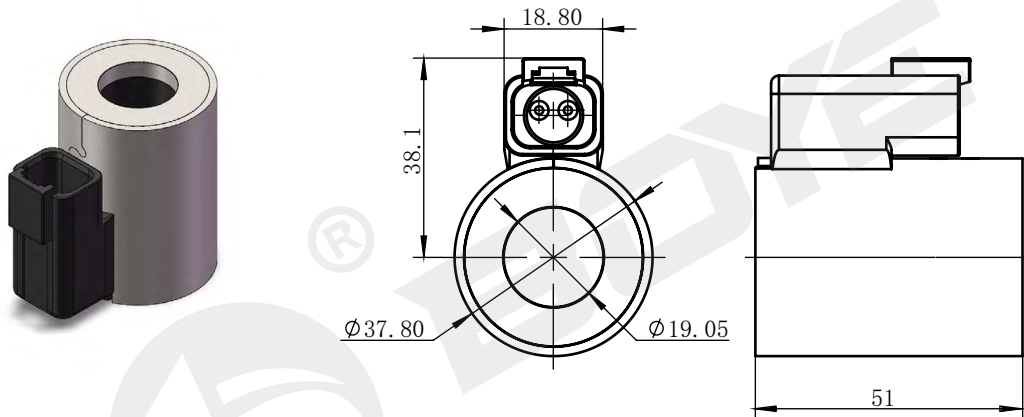


Technical parameter					
Ambient temperature	°C	-25 ~ 50	Degree of protection		IP67
Voltage fluctuation range	%	85 ~ 110	Power on duration	%	100
Rated power	W	20	Insulation class		H (180)

## BYC12-19-01D

**DC 12V**  
**DC 24V**

Other can be customized



Technical parameter					
Ambient temperature	°C	-25 ~ 50	Degree of protection		IP67
Voltage fluctuation range	%	85 ~ 110	Power on duration	%	100
Rated power	W	24/36	Insulation class		H (180)