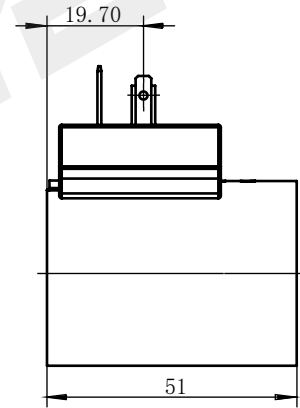
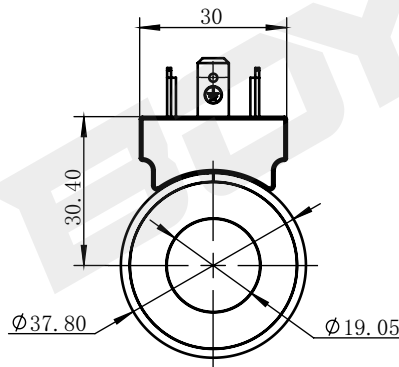
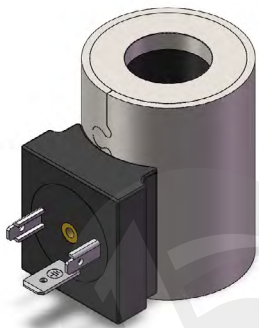


Coil for cartridge valve

BYC12-19-01G

DC 12V
DC 24V

Other can be customized

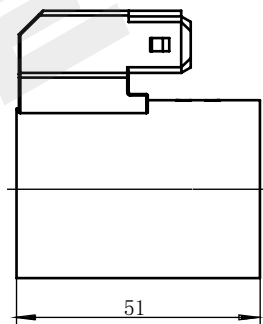
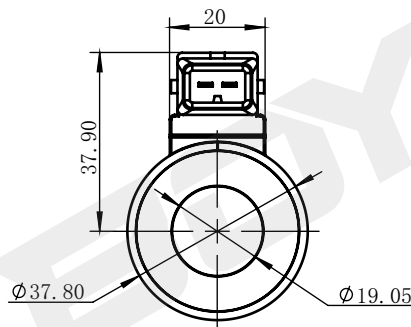
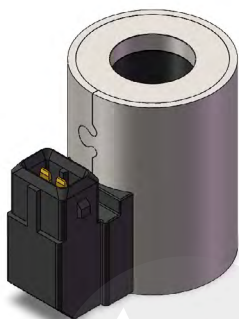


Technical parameter					
Ambient temperature	°C	-25 ~ 50	Degree of protection		IP65
Voltage fluctuation range	%	85 ~ 110	Power on duration	%	100
Rated power	W	24/36	Insulation class		H (180)

BYC12-19-01J

DC 12V
DC 24V

Other can be customized



Technical parameter					
Ambient temperature	°C	-25 ~ 50	Degree of protection		IP67
Voltage fluctuation range	%	85 ~ 110	Power on duration	%	100
Rated power	W	24/36	Insulation class		H (180)