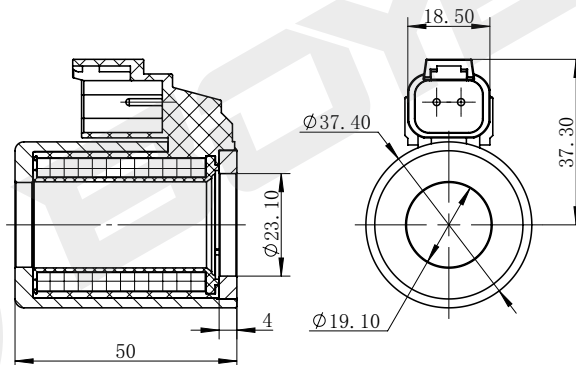


Coil for cartridge valve

BYC06-19B-01D

Customizable proportions

**DC 12V****DC 24V**

Other can be customized

technical parameter

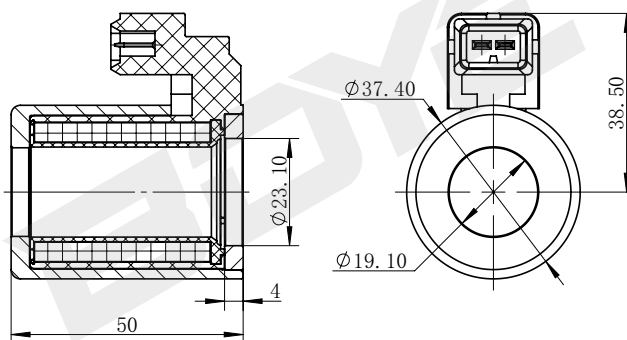
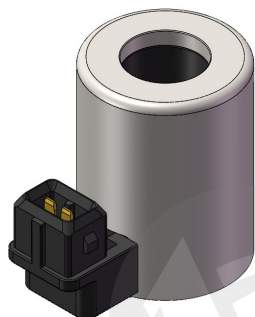
Ambient temperature	°C	-25~50	Degree of protection		IP67
Voltage fluctuation range	%	85~110	Power on duration	%	100
Rated power	W	26	Insulation class		H (180)

DC 12V**DC 24V**

Other can be customized

BYC06-19B-01J

Customizable proportions



technical parameter

Ambient temperature	°C	-25~50	Degree of protection		IP67
Voltage fluctuation range	%	85~110	Power on duration	%	100
Rated power	W	26	Insulation class		H (180)